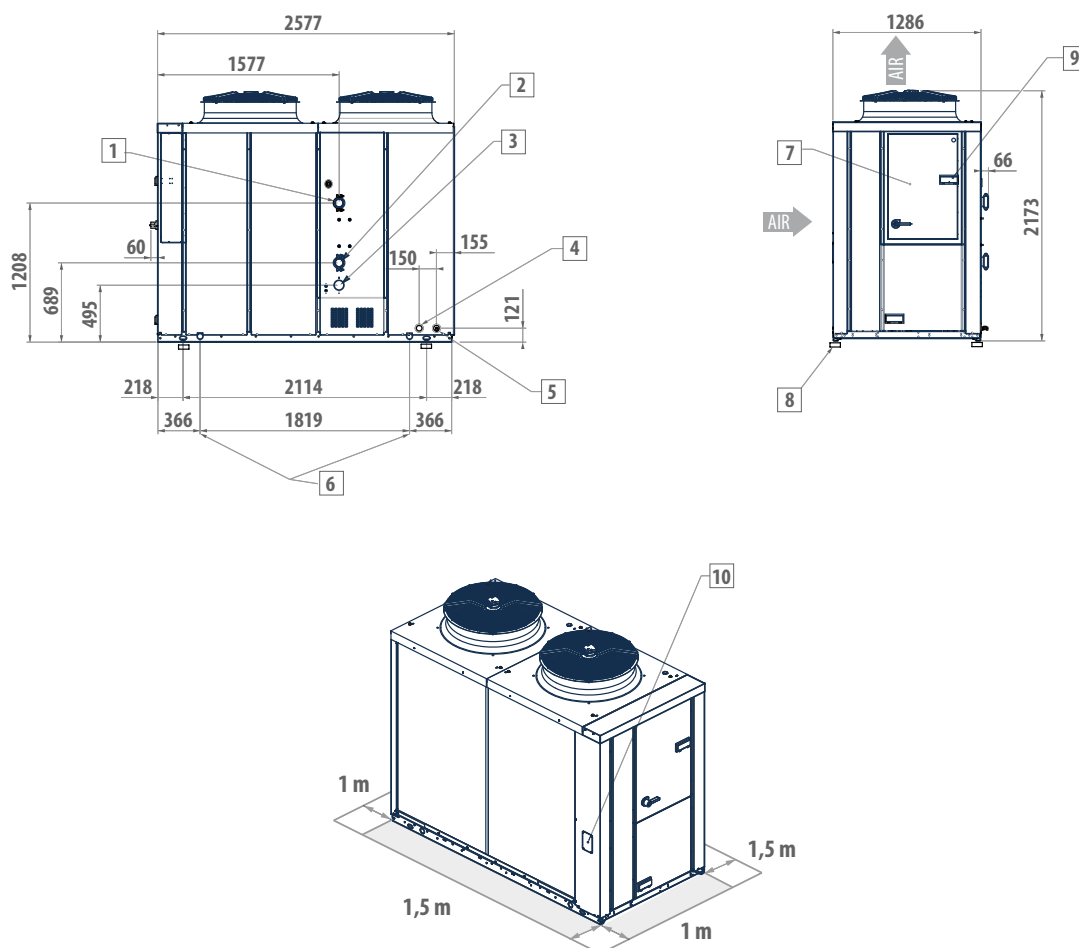


Dimensional drawings

SCX 82 - 92



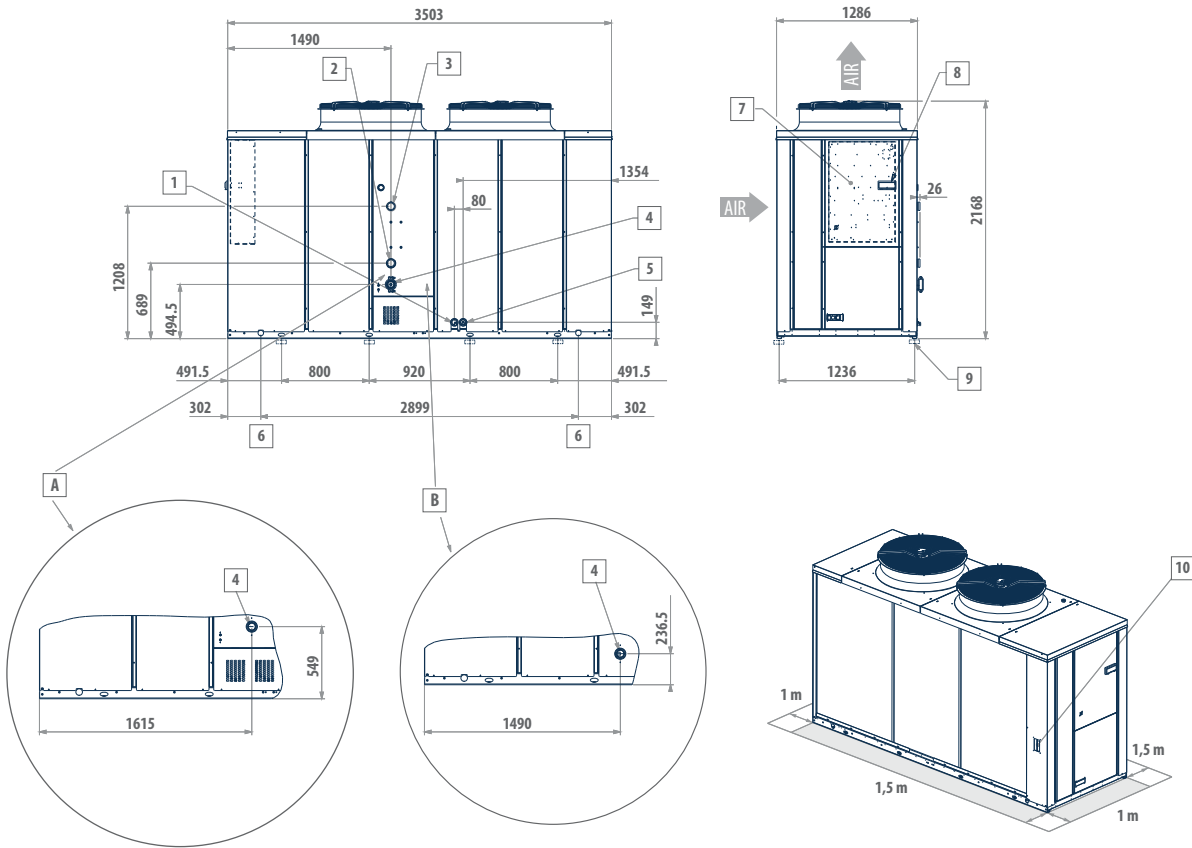
LEGEND

1	Water inlet (Victaulic 2")
2	Water outlet, evaporator only (Victaulic 2")
3	Water outlet (Victaulic 2")
4	Water filling
5	Water drainage
6	Fastening points
7	Electric control board
8	Vibration dampers
9	User interface
10	Power supply input



Dimensional drawings

SCX 102 - 162

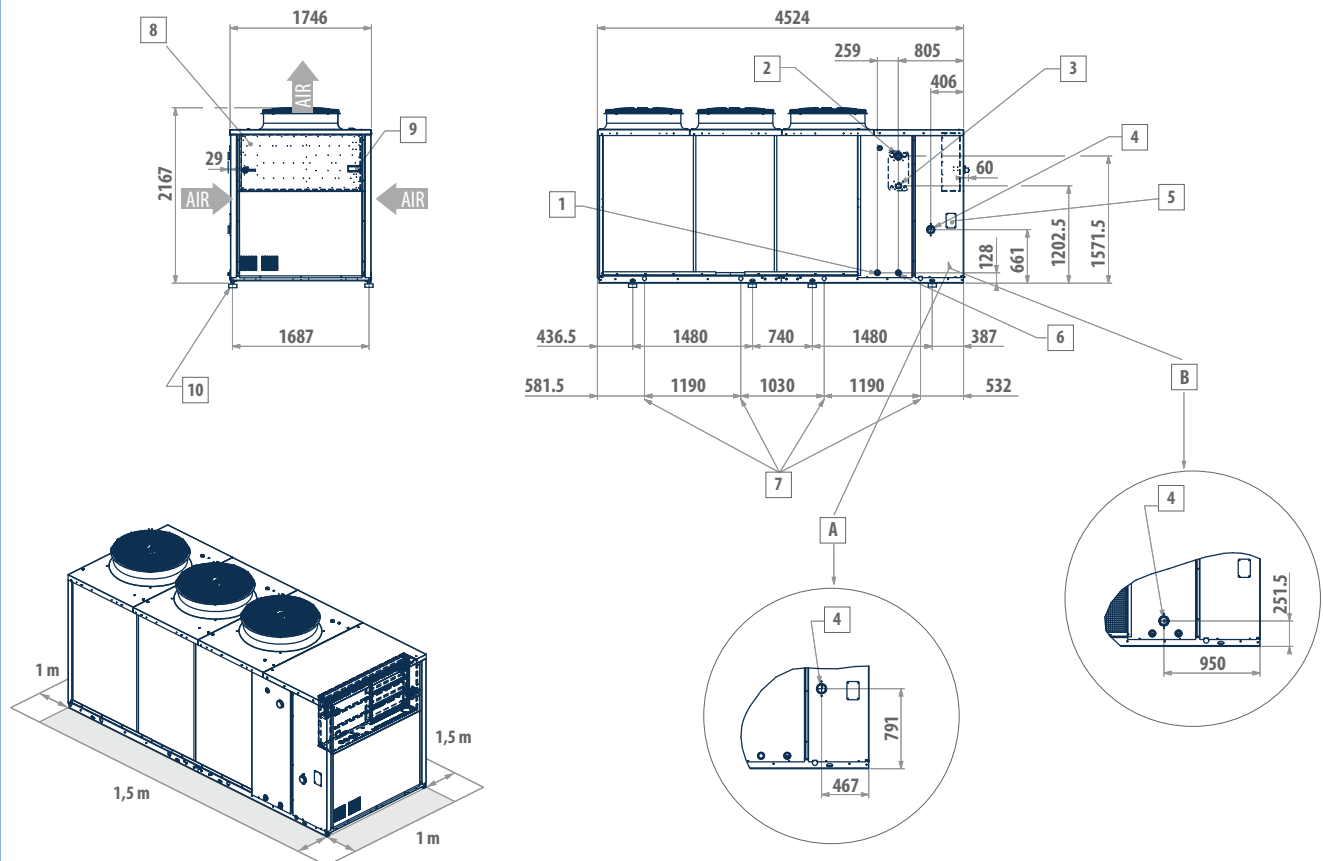


LEGEND

1	Water filling
2	Water outlet, evaporator only (Victaulic 2" ½)
3	Water inlet (Victaulic 2" ½)
4	Water outlet (Victaulic 2" ½)
5	Water drainage
6	Fastening points
7	Electric control board
8	User interface
9	Vibration dampers
10	Power supply input
A	Version with 2 pumps
B	Version with buffer tank only

Dimensional drawings

SCX 174 - 244



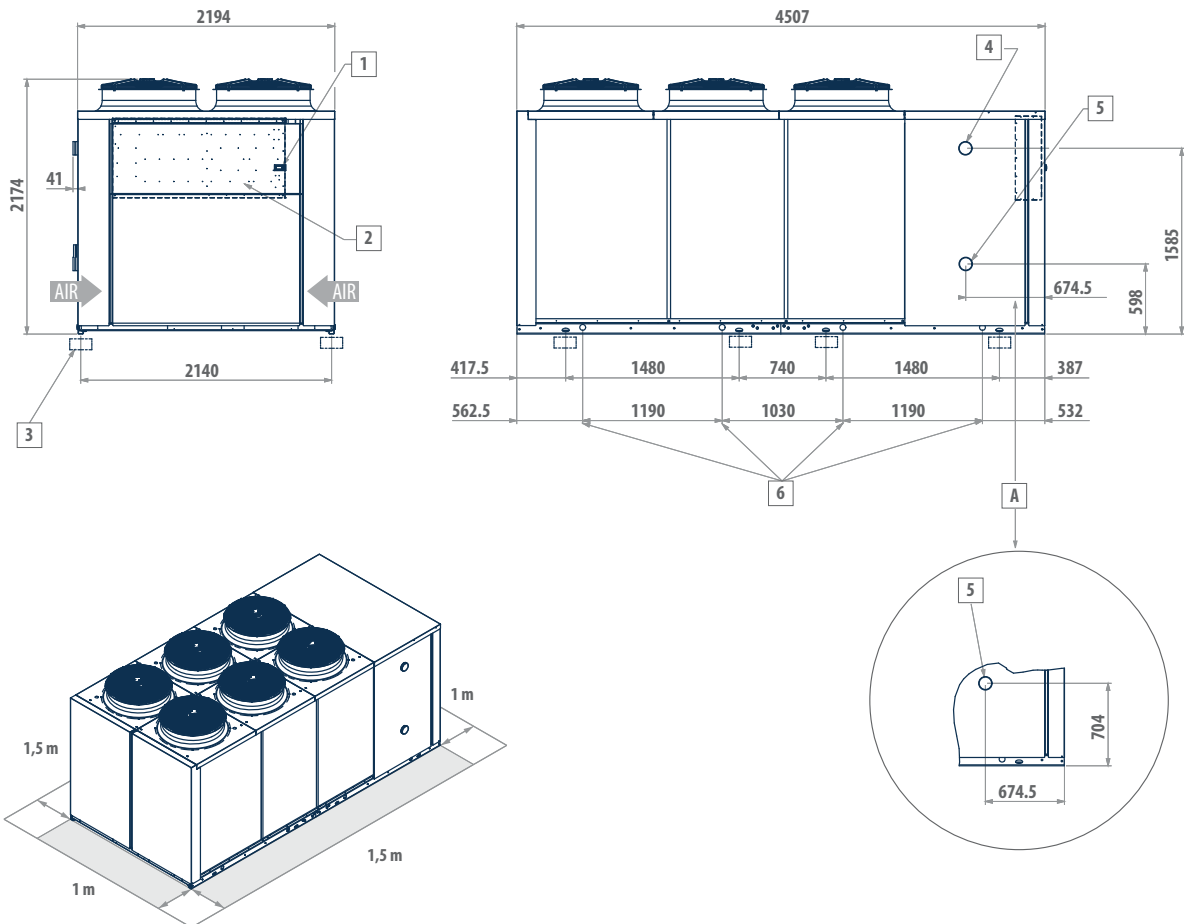
LEGEND

1	Water drainage
2	Water inlet (Victaulic 3")
3	Water outlet, evaporator only version (Victaulic 3")
4	Water outlet (Victaulic 3")
5	Power supply input
6	Water filling
7	Fastening points
8	Electric control board
9	User interface
10	Vibration dampers
A	Version with 2 pumps
B	Version with buffer tank only



Dimensional drawings

SCX 264 - 364



LEGEND

1	User interface
2	Electric control board
3	Vibration dampers
4	Water inlet (Victaulic 4")
5	Water outlet (Victaulic 4")
6	Fastening points
A	Version with 2 pumps