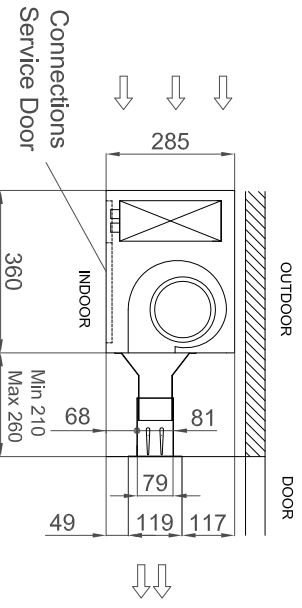


**Standard Installation**



Invisair	L	A	B
1500	1550	1525	726,5
2000	2055	2030	1015
2500	2555	2530	1265

**OPTIONAL  
Lateral water  
pipes entrance  
(top view)**

